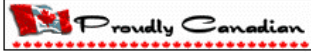



RECOMMENDED SIZES FOR STANDARD ELEVATORS WITH DUAL HOLELESS CYLINDERS

CAPACITY (kg)	ENTRANCES	W (mm)	D (mm)	D* (mm)	IW (mm)	ID (mm)	O (mm)	RO (mm)
910	FRONT ONLY	2264	1800		1726	1300	914	1475
910	FRONT & REAR	2264	1960	2036	1726	1300	914	1475
1160	FRONT ONLY	2595	1800		2032	1300	1067	1675
1160	FRONT & REAR	2595	1960	2036	2032	1300	1067	1675
1365	FRONT ONLY	2620	1906		2032	1406	1067	1675
1365	FRONT & REAR	2620	2066	2142	2032	1406	1067	1675
1587	FRONT ONLY	2620	2110		2032	1610	1067	1675
1587	FRONT & REAR	2620	2270	2346	2032	1610	1067	1675

D* = D + 76MM AT REAR ENTRANCE ONLY.
 TO MEET SEISMIC CRITERIA FOR ZONES 2 OR GREATER, CONSULT DELTA ELEVATOR FOR INCREASED HOISTWAY DIMENSIONS "W".



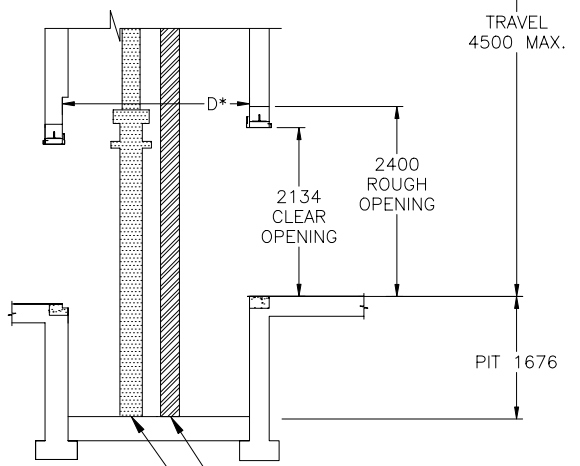
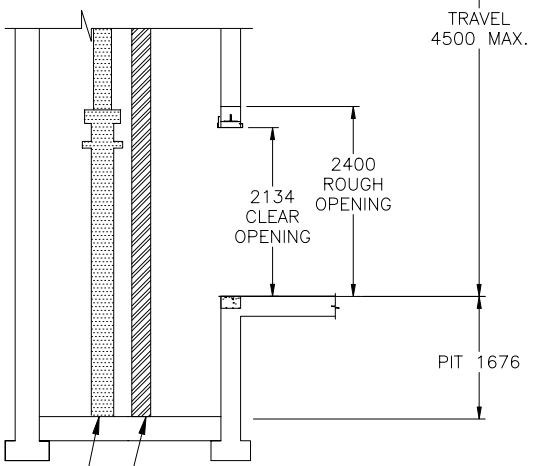
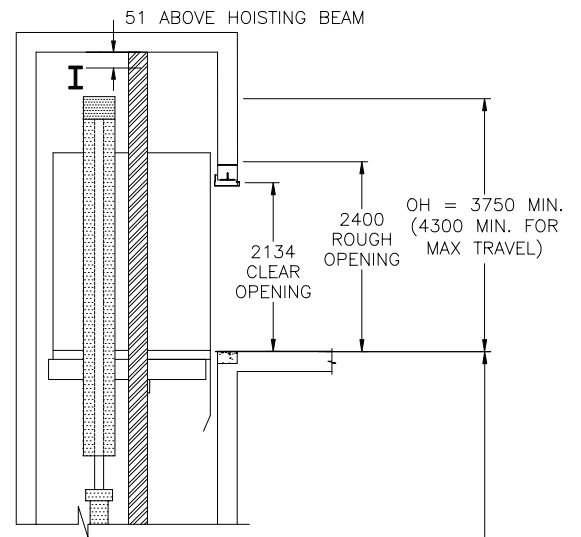
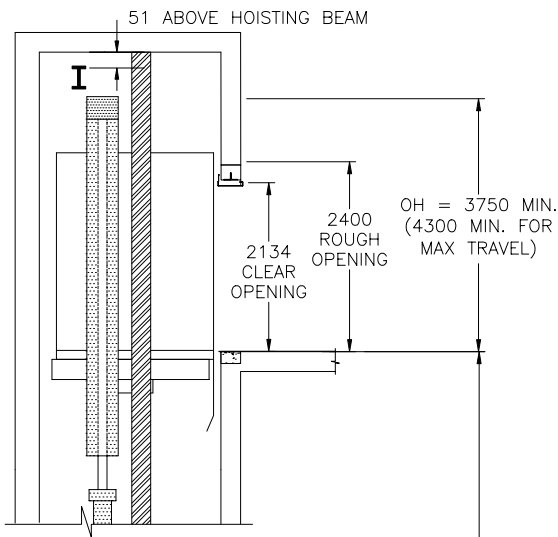


WWW.DELTA-ELEVATOR.COM

LIFT TYPE
 PASSENGER ELEVATOR
 HOLELESS DUAL CYLINDER (HDP)

TITLE
 FRONT & REAR ENTRANCES – PLAN VIEW
 SINGLE SPEED AND CENTRE OPENING DOORS

DRAWING NO. DUAL-HOLELESS	REV. 1	SHEET 1 OF 2
------------------------------	-----------	-----------------

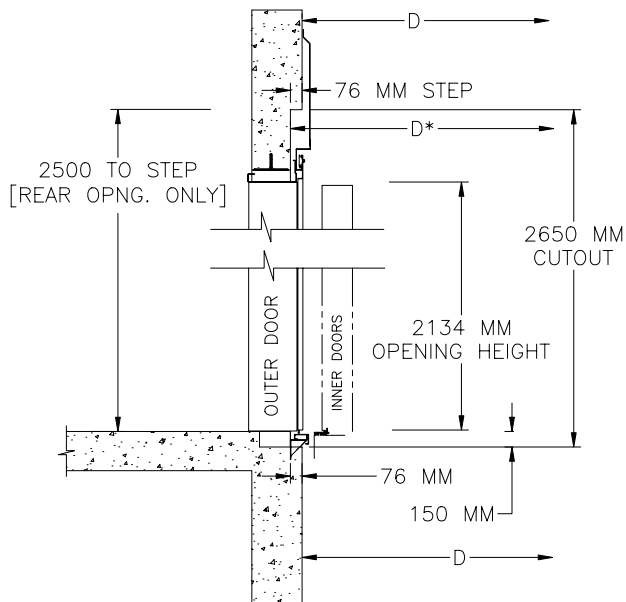


CYLINDER
RAIL

OH (OVERHEAD HEIGHT) WILL INCREASE IF CAB HEIGHT INCREASES BEYOND STANDARD 2438MM CAB HEIGHT (2286MM CLEAR INSIDE HEIGHT)

RAIL
CYLINDER

REAR ENTRANCE WALL DETAIL
(REQUIRED AT EACH REAR ENTRANCE)



WWW.DELTA-ELEVATOR.COM

LIFT TYPE
PASSENGER ELEVATOR
HOLELESS DUAL CYLINDER (HDP)

TITLE
HOISTWAY CROSS SECTION - FRONT & REAR ENTRANCES
SINGLE SPEED AND CENTRE OPENING DOORS

DRAWING NO. DUAL-HOLELESS	REV. 1	SHEET 2 OF 2
------------------------------	-----------	-----------------