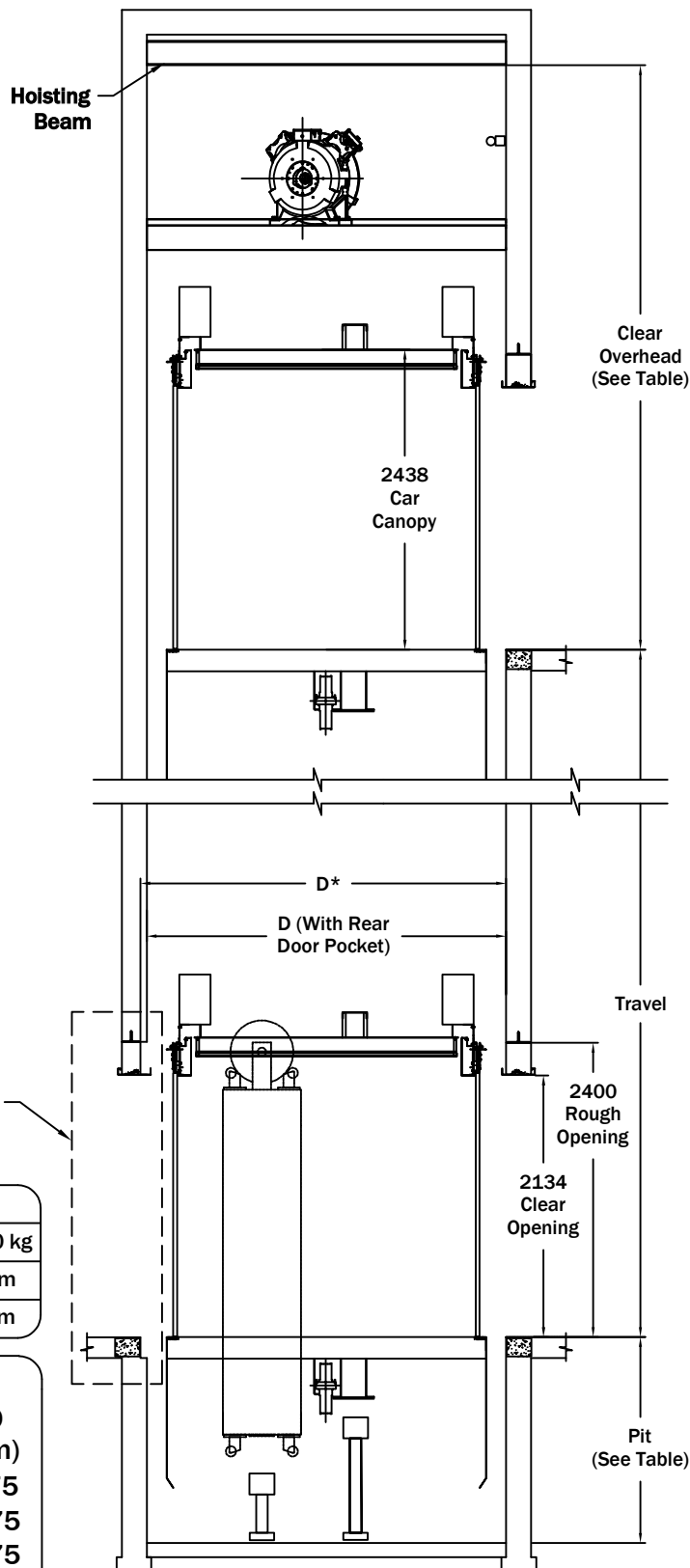


**Left Hand Opening Shown
Right Hand Opposite**

See Pocket Detail Page
for Rear Pocket Option



Speed \ Cap	Pit Depth		Overhead	
	950-1587 kg	1815-2050 kg	950-1587 kg	1815-2050 kg
0.75 - 1.0 m/s	1626 mm	1676 mm	4750 mm	5100 mm
>1.0-1.75 m/s	1676 mm	1750 mm	5250 mm	5400 mm

Standard Available Sizes

Capacity (kg)	W (mm)	D (mm)	D* (mm)	IW (mm)	ID (mm)	O (mm)	RO (mm)
950	2185	2512	2614	1370	1726	914	1675
1200	2221	2818	2920	1406	2032	1067	1675
1587	2425	2818	2920	1610	2032	1067	1675
1815	2448	3150	3252	1598	2364	1219	1860
2050	2448	3340	3442	1598	2554	1219	1860

- D* = D + 102 mm at Rear Entrance Only
- For Seismic Applications, Consult Delta Elevator for Increased Dimension "W"
- Clear Overhead Based Upon 2438mm Car Canopy
- For Car Canopy Height Increase Add Equal Height to Clear Overhead
- With Travel Greater than 60m, Consult Delta Elevator Regarding Design Options