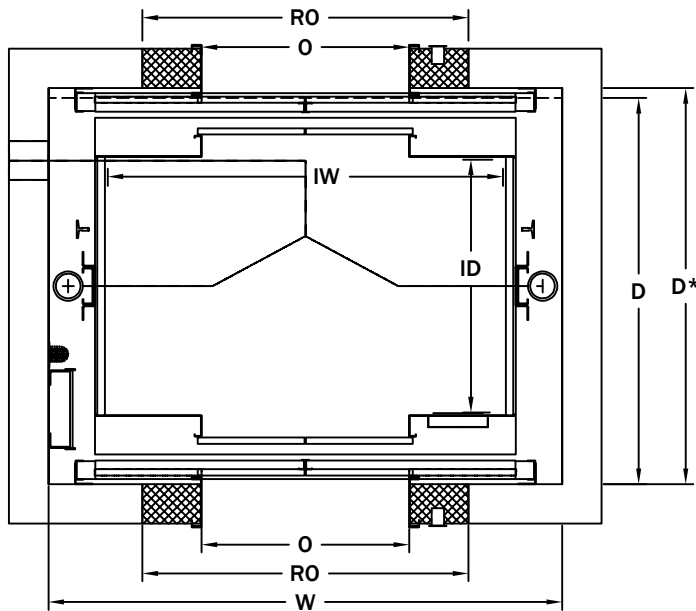


Left Hand Opening Shown
Right Hand Opposite



Centre Opening

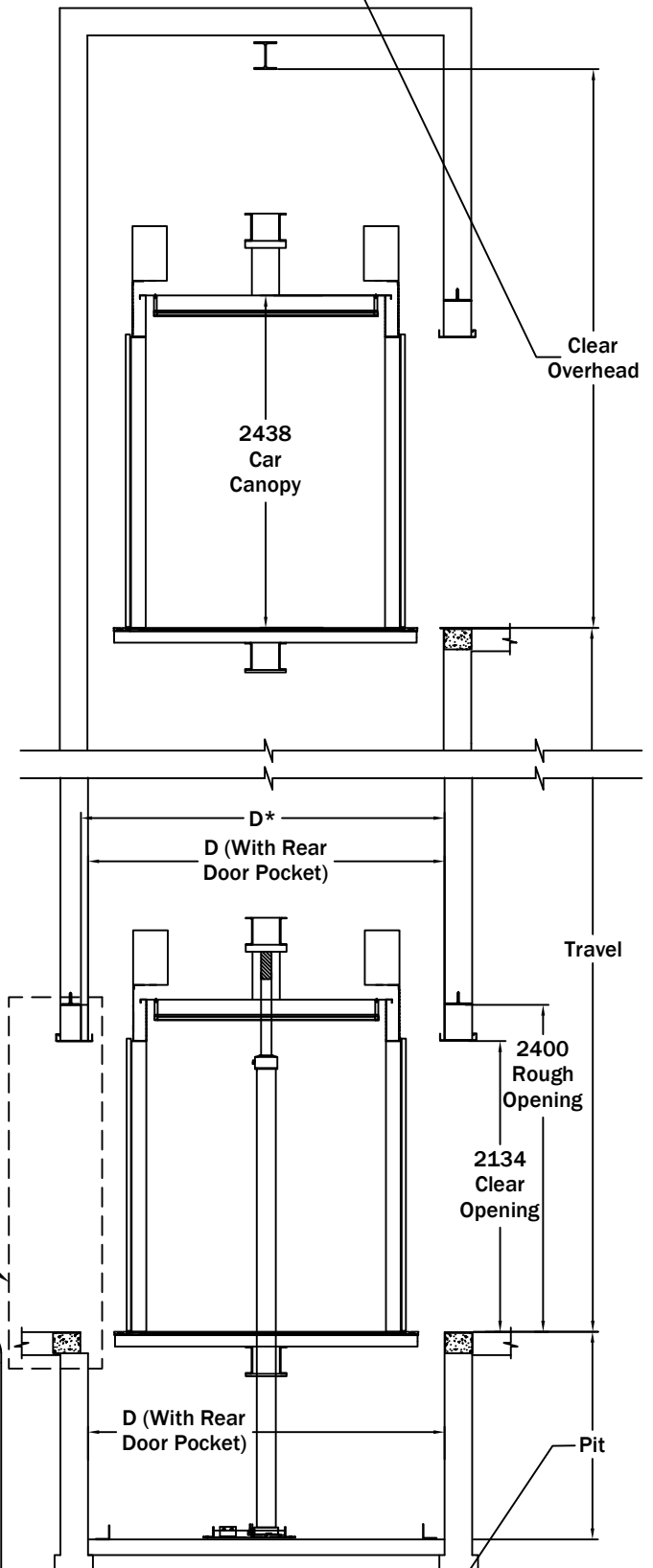
See Pocket Detail Page
for Rear Pocket Option

Standard Available Sizes

Capacity (kg)	W (mm)	D (mm)	D* (mm)	IW (mm)	ID (mm)	O (mm)	RO (mm)
910	2334	1985	2036	1726	1300	914	1675
1134	2640	1985	2036	2032	1300	1067	1675
1365	2640	2091	2142	2032	1406	1067	1675
1587	2674	2295	2346	2032	1610	1067	1675

- D* = D + 51 mm at Rear Entrance Only
- For Seismic Applications, Consult Delta Elevator for Increased Dimension "W"
- Clear Overhead Based Upon 2438mm Car Canopy
- For Car Canopy Height Increase Add Equal Height to Clear Overhead
- With Travel Greater than 4200mm, Consult Delta Elevator Regarding Design Options

3800mm OVERHEAD - UP TO 3450mm TRAVEL
4100mm OVERHEAD - 3451mm TO 4200mm TRAVEL



1525mm PIT - UP TO 3450mm TRAVEL
1809mm PIT - 3451mm TO 4200mm TRAVEL